

System 185

Clip-in Ceiling



System 185

Clip-in Ceiling

Simple, cost effective & best of its kind ceiling system with German engineering from "**Suckow & Fischer**".



System 185 – Clip-in Ceiling System

Clip-in ceiling system is one of the concealed grid suspended metal ceiling systems being widely used for interior applications. The system is simple in design planning for any configuration and is cost effective for large or small ceiling area.

The Suspension System

The suspension system is one of “Suckow & Fischer” proprietary systems. The system consists of a common profile, ‘SF 8499’ Clip-in Rail, made of galvanized steel in 0.5mm thick, for both primary and secondary structural profile, interlocking with Cross Connector, ‘SF 8504’, to form a rigid structural sub-frame for the ceiling panels. The primary structure is suspended with thread rod by connecting to the Suspension Clip, ‘SF 8508’. The proprietary suspension system is best of its kind, very accurate, easy to install and to adjust ceiling leveling.

The Clip-in Panel

The high quality clip-in panel is fabricated with precision-engineered equipment to achieve flat and dimensionally stable surface. Common formed panel sizes are 600x600mm and 600x1200mm c/c with bevelled edge on four sides. The clip-in panel has pre-punched pips to lock securely into the secondary structural profile - clip-in rail. Other panel sizes are available upon request, please consult our “Suckow & Fischer” personnel for details.

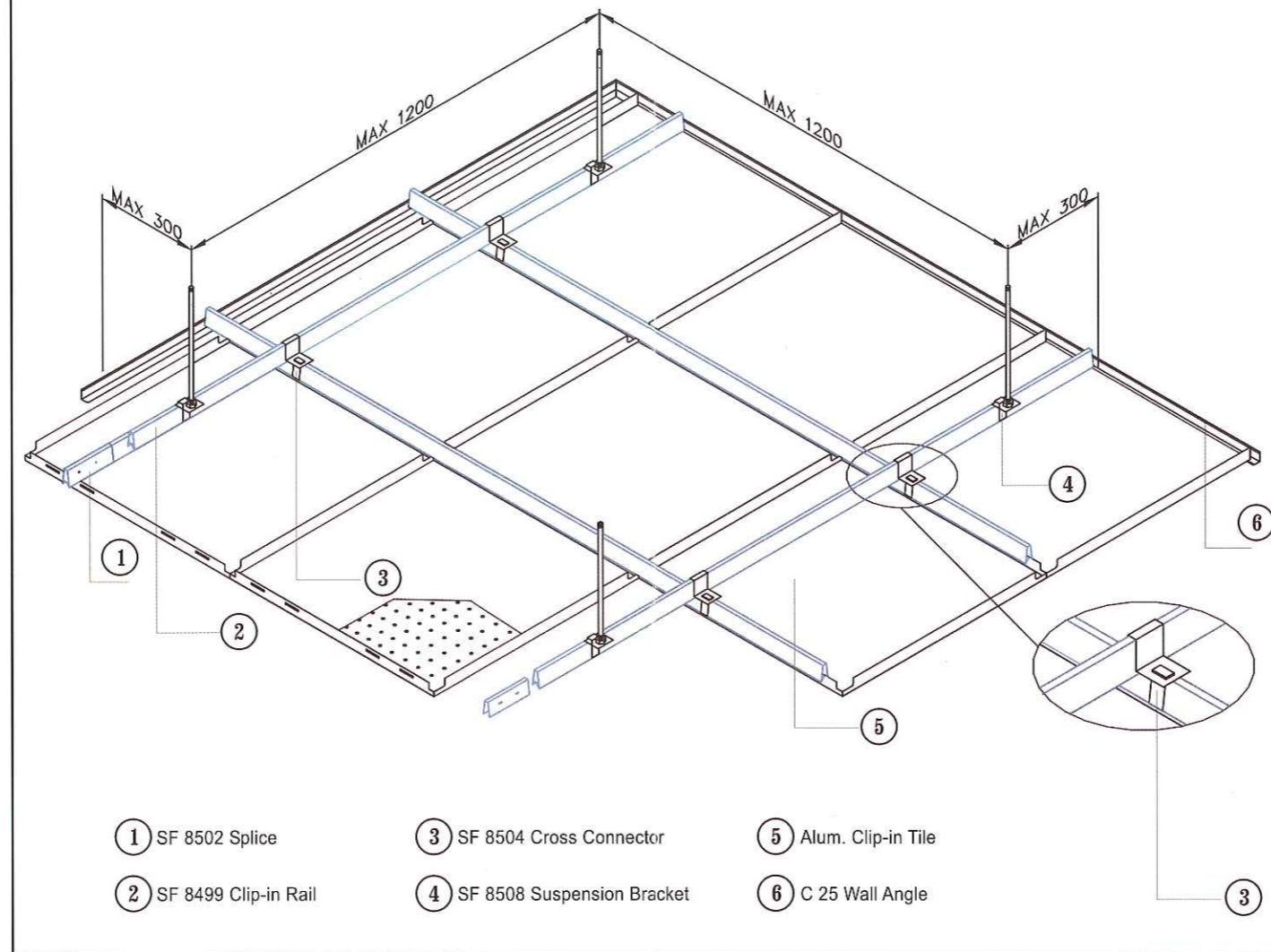
Perforated Panels

For interior application, clip-in panels can be perforated for decorative purpose or for acoustic effect by adding non-woven acoustical black fleece or mineral wool acoustical pads. For more information, please refer to “Suckow & Fischer” Metal Ceiling Technical Brochure.

Wall & Perimeter Treatments

Available in standard wall trims or custom made bulkheads, up-stands and window pelmets; all designed to incorporate with ceiling panels in matching colours.

System 185 - Clip-in Ceiling System



Building Services

Clip-in Panels can be designed to incorporate other building service facilities such as down lighting fixtures, sprinkler heads, smoke & fire detectors, security and broadcasting systems. Pre-opening holes fabricated at the factory are available as options.

Base Material & Finishes

Base material of the ceiling panels can be aluminium or electrolytically galvanized steel in standard RAL 9010 or other RAL colours. Finish coating of the panels can have the choices of using polyester powder coating, coil coated in advanced polymer system or polyvinylidene di-fluoride (PVDF). For more information, please refer to “Suckow & Fischer” Metal ceiling Technical Brochure.

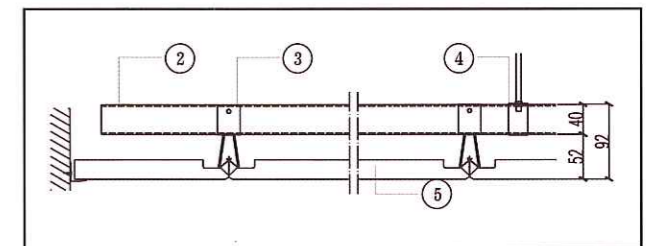
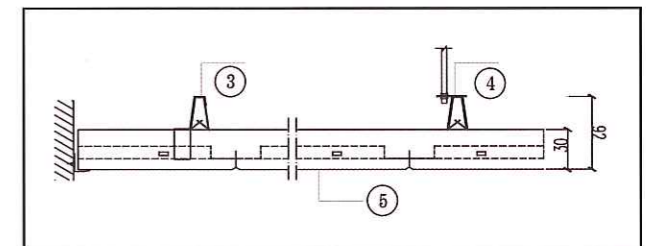
Access to Plenum

A special designed hand-tool is available from “Suckow & Fischer” for dismantling of Clip-in Panels from the concealed clip-in rail. Insert the hand-tool between the panel joint at about 100mm from the panel adjacent edge with the hook of the hand-tool positioned at the top of the panel up-stand. Apply downward force gently to pull the panel pip off the clip-in rail. Repeat the aforesaid procedures at the other end of the panel until both sides of the panel are released from the clip-in rail.

For non-perforated clip-in panel, you can also apply the suction cups tool which normally uses for removal of glass to dismantle the clip-in panels from the clip-in rail. Place the suction cups onto the surface of the ceiling panel and apply downward force gently to pull the panel from the clip-in rail.

Advantages of System 185

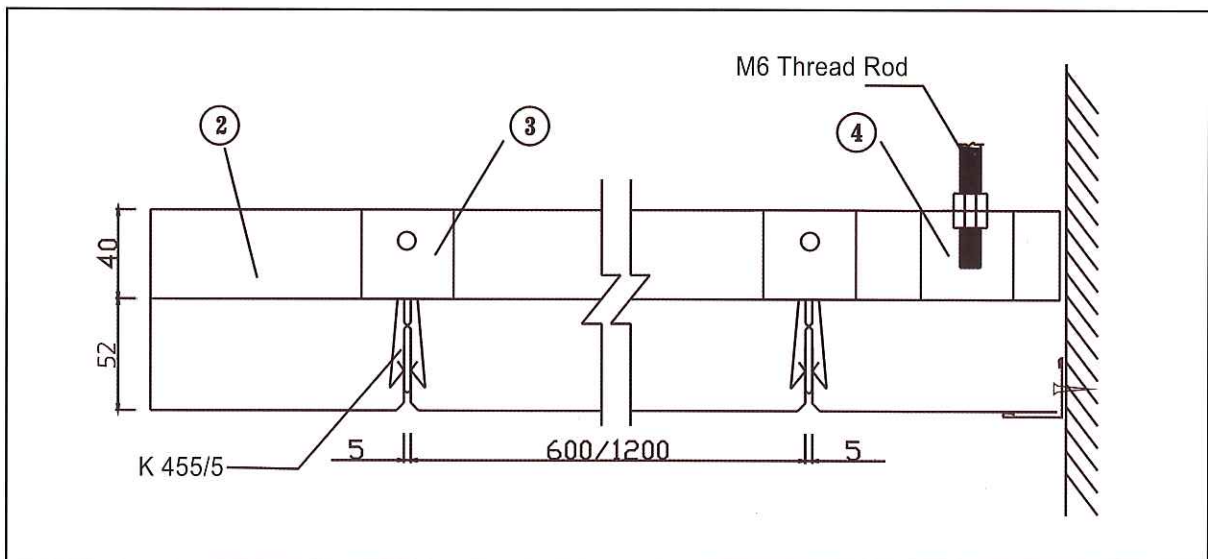
- Concealed suspension grid system
- Tegular joints with bevelled edges to tile panels
- Simple in design planning for room configuration
- Integrated with other building services
- Total downward demountability with hand-tool
- Low maintenance with durable product life
- Economical cost effective ceiling solution



Supplementary Information

Material Selection		Approximate Kg weight per Sqm	
600x600mm Tile	600x1200mm Panel	600x600	600x1200
0.7mm Alum	0.8mm Alum	2.30	2.56
0.8mm Alum	1.0mm Alum	2.67	3.20
0.5mm Alum	0.6mm Alum	4.71	5.42
0.6mm Alum	0.7mm Alum	5.65	6.33

Componentry Usage for 100sqm consumption per Sqm (eg 10mx10m)		600x600mm Tile (Qty. per Sqm.)	600x1200mm Tile (Qty. per Sqm.)
SF 8499	Upper Clip-in Rail	0.8LM	0.84LM
SF 8499	Lower Clip-in Rail	1.67LM	0.84LM
SF 8502	Splice	0.63pc	0.42pc
SF 8404	Cross Connector	1.39pcs	0.7pcs
SF 8408 / 8406	Suspension Bracket	0.7pc	0.7pc



Optional Double Sided Clip-in Profiles from Suckow & Fischer

In addition to our standard clip-in profile 'SF 8499', there are two double sided clip-in profiles available at your choice, namely, 'SF K 455/3' and 'SF K 455/5'. Both double sided clip-in profiles formed in the shape to create a continuous vertical section in the center which provides a recessed shadow line between the clip-in tiles in one direction along the clip-in profiles.

The visible part of the profiles are black foil coated to form the recessed black shadow gaps of 'SF K 455/3' and 'SF K 455/5' in 3mm and 5mm respectively between the clip-in tiles.

By using the double sided clip-in profiles, the conventional square clip-in tiles are accented with black shadow gap in lines. It is not only created a feature to this popular clip-in tile system, but also provides

practicality in dismantling the clip-in tile by showing the direction of the clip-in profiles from underneath.

The clip-in tiles will be easier to be taken off from the double sided profile as the tiles are lock in the profile apart from each other. The double side clip-in profile can be installed together with the standard clip-in profile without changing of the suspension components. Therefore, forming ceiling layout with different configuration is simple.



Brief Specification

Part 1 - INTRODUCTION

“Suckow & Fischer” is a German branded product. “Suckow & Fischer” System 185 - Clip-in Ceiling System is simple in design planning for any configuration and cost effective for large or small ceiling area.

Part 2 - PRODUCT

2.1 Suspension System

2.1.1 Primary Clip-in Rail

The Primary Clip-in Rail ‘SF 8499’ is made of galvanized steel in 39x20mm and 0.5mm thick, 4M length per piece. The primary structure is suspended with 6mm diameter G.S. threaded rods by means of Suspension Clip ‘SF 8508’ at a maximum distance of 1200mm c/c (as per Manufacturer’s recommendation).

2.1.2 Secondary Clip-in Rail

The Secondary Clip-in Rail, same as above, is suspended by the Primary Clip-in Rail by means of Cross Connector ‘SF 8504’ at a distance of 1200mm c/c (as per Manufacturer’s recommendation) for supporting the ceiling panels. The Clip-in panels have pre-punched pips on up-stands which to be wedged into Clip-in Rail spacing 600mm or 1200mm c/c for 600x600mm or 600x1200mm panels respectively.

2.1.3 Secondary Clip-in Rail ‘SF K455/3’ & ‘SF K455/5’ (Optional with 3mm or 5mm shadow gap respectively)

Galvanized steel Clip-in Rail, same as above hanging method but with a 3mm or 5mm shadow gap between the panels in one direction. The Clip-in Panels have pre-punched pips on up-stands to be wedged into Clip-in Rail spacing at 603mm, 605mm, 1203mm and 1205mm c/c for 600x600mm or 600x1200mm panels respectively.

2.1.4 Hangers

Galvanized steel diameter 6mm Threaded Rod.

2.2 Ceiling Panels

The ceiling panels can be fabricated in various sizes and thickness with 30mm depth depending on the design requirements. Recommended modular panel sizes are : 0.7mm thick aluminium for 600x600mm and 1mm thick aluminium for 600x1200mm. Optional Galvanized steel : 0.5 and 0.7mm thick for 600x600mm and 600x1200mm panels respectively.

2.3 Base Material & Finishes

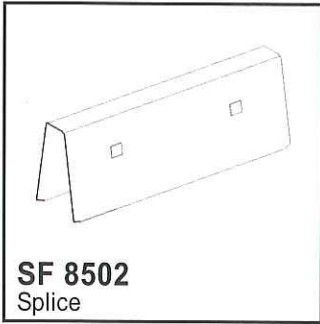
Base material of the ceiling panels can be aluminium or electrolytically galvanized steel coated in polyester powder finish in standard white RAL 9010 with minimum of 60 micron or other RAL colours. Optional coating finishes of polymer stove-enamelled or PVDF pre-paint or post-paint processes are available upon request.

PART 3 - WALL ANGLE & PERFORATED PATTERN

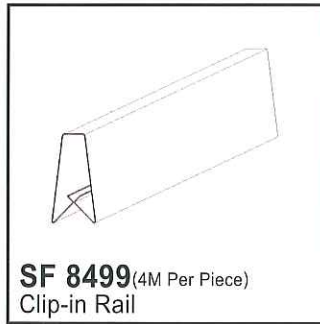
Please refer to “Suckow & Fischer” Metal Ceiling Technical Brochure.



Accessories



SF 8502
Splice



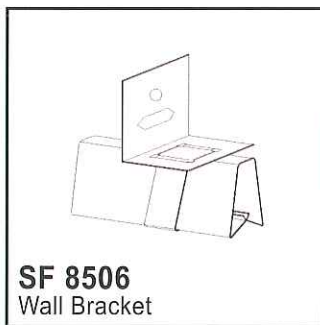
SF 8499 (4M Per Piece)
Clip-in Rail



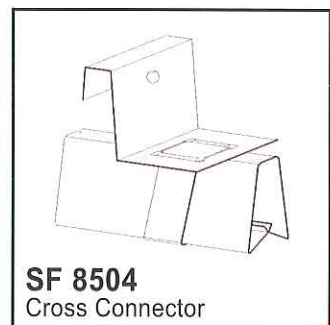
SF 8501
Single Clip-in Rail



SF 8508
Suspension Bracket



SF 8506
Wall Bracket



SF 8504
Cross Connector



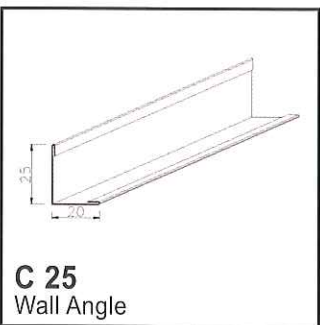
Dismantling Hand Tool



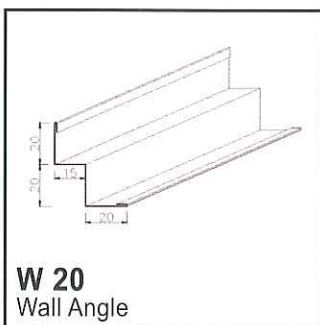
K 455/3
Double Sided Clip-in Profile



K 455/5
Double Sided Clip-in Profile



C 25
Wall Angle



W 20
Wall Angle